

Z50

zylight



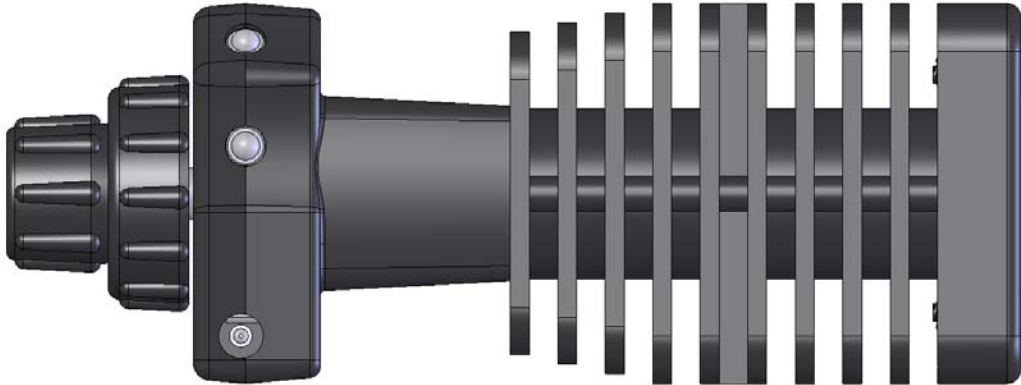
Z50 Intelligent LED Light

- Tungsten & Daylight Switchable
- Color Mode - No More Gels!
- Flat-Panel HD-led™ Technology
- Wireless Linking & Control
- Compact & Lightweight
 - Bright & Soft Output
 - Durable & Proven



Z50

zylight



Advancing the Art of Lighting

The first light of its kind, the **Zylight Z50** intelligent LED light can instantly change from fully calibrated Daylight to Tungsten bright & soft white light at the push of a button, making it the ideal on-camera light.

In creative color mode, the palm-sized **Z50** can produce any color including pastels, *eliminating the need for gels!* Mounted on a stand or grip arm, the **Z50** opens up new creative possibilities. Finding the color you need is fast and easy with presets for storing your favorites.

Next-Generation HD-led™

At the heart of the **Z50** is the advanced flat panel HD-led™ (High-Density light-emitting diode) module. Packing over 230 high-power elements into a single square inch this little marvel produces over 160° of soft luminous light with no hotspots.

ZyLink™ Wireless Control

Zylight's advanced **ZyLink™** technology redefines the term "lighting system." If one Zylight isn't enough, wirelessly link together as many as you need to get the job done. Adjust the controls on any of the linked lights and they all change!

You don't need a large panel to get a big LED source. Used individually or in an array, with the intelligent **Z50** your lighting kit has never been more compact and portable, yet fully capable of handling any lighting task.

Unmatched Flexibility

Like a fine instrument each **Z50** is individually calibrated at the factory and fully dimmable. Snap on the **Z50**'s accessory adapter and you're ready to use any 3-inch attachment you may already have such as a softbox or barndoors.

With its advanced set of features, the **Z50** brings new levels of flexibility, creativity, and control to your light kit.

Truly intelligent lighting... Only from **Zylight**.

Z50 Specifications

Mechanical

Size: 5.4" x 2.0" x 2.0"
[137mm x 51mm x 51mm]

Weight: 11 oz. [314g]

Mounting: Two: 1/4"-20 Socket

Electrical

Input: 9-20V DC

AC Adapter: 100-240V, 50-60Hz

Power: 30W max. [2.5A max. @ 12V]

Output

Beam Angle: 163°

Dimming: 1-100%

Presets: **Color Mode** - Two: User defined
White Mode - Two: Daylight, Tungsten

LED Life: 50,000 Hrs. min. before factory re-calibration

Specifications subject to change without notice. The Zylight Z50 is protected by multiple US and Foreign patents with other US and Foreign patents pending.

