

D
C
B
A

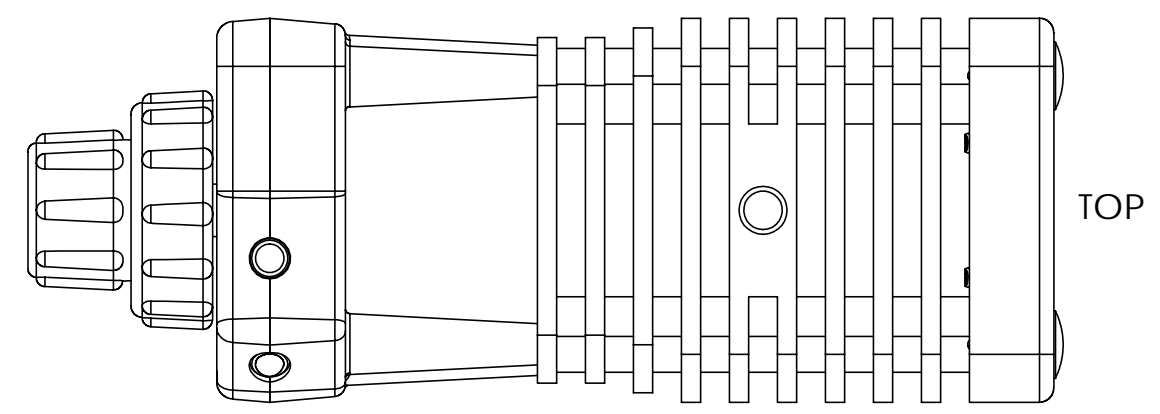
D
C
B
A

4

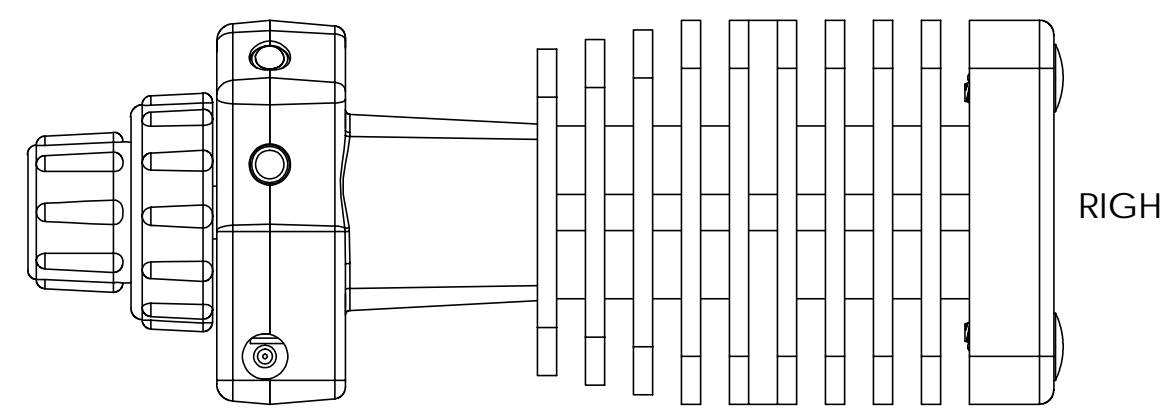
3

2

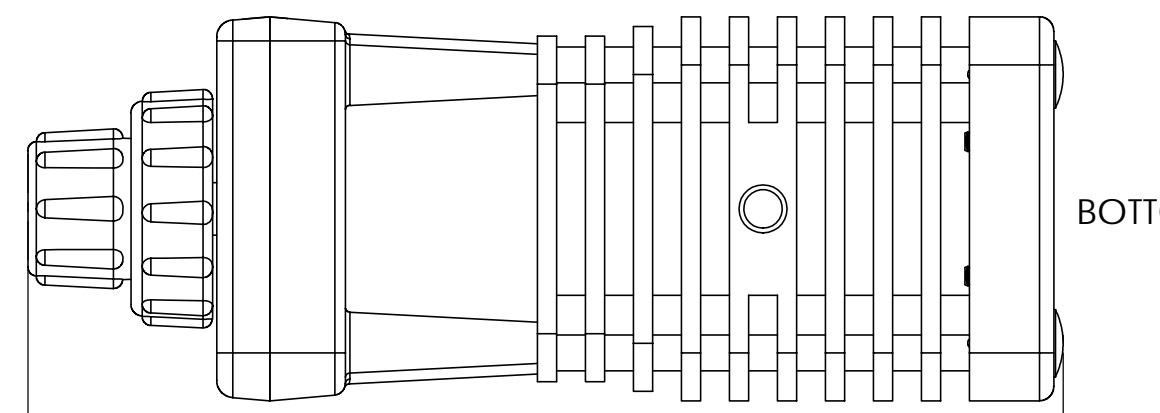
1



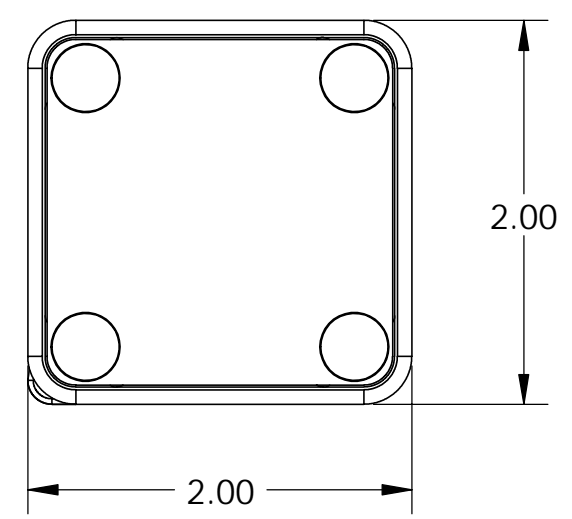
TOP



RIGHT



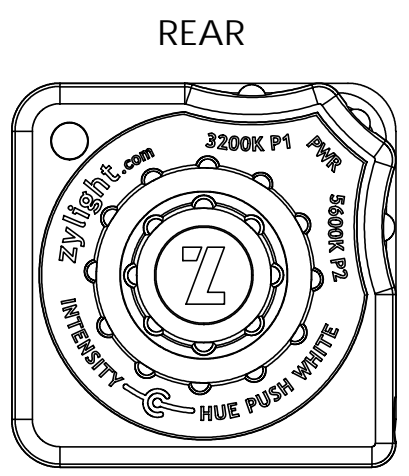
BOTTOM



FRONT

2.00

2.00



REAR

Z50 SPECIFICATIONS

MECHANICAL
 SIZE: 5.39" x 2.0" x 2.0" [137 x 51 x 51mm]
 WEIGHT: 11oz. [314g]
 MOUNTING: 2x 1/4"-20 Socket
 MATERIALS: Al 6061-T6, ABS/PC, TPE


ELECTRICAL
 INPUT: 9-20V DC
 AC ADAPTER: 100-240V, 50-60Hz
 POWER: 30W max. [2.5A @ 12V]

OUTPUT
 BEAM ANGLE: 163°
 DIMMING: 0-100%
 PRESETS: Color Mode - Two: User defined
 White Mode - Two: 3200K, 5600K
 LED LIFE: 10,000 Hours min.
 LICENSED BY COLOR KINETICS

PROTECTED BY THE FOLLOWING US AND FOREIGN PATENTS WITH OTHER US AND FOREIGN PATENTS PENDING:

US 6,016,038 US 6,150,774
 US 6,211,626 US 6,340,868
 US 6,608,453 US 6,777,891
 US 6,788,011 US 6,806,659
 CA 2,302,227 EP 1 016 062 B1
 AU 757000 B2 HK 1025416
 DE 698 07 092 C0

UNLESS OTHERWISE SPECIFIED DIMENSIONS ARE IN INCHES GENERAL TOLERANCES:			CAD MAINTAINED. CHANGES SHALL BE INCORPORATED BY ENGINEERING DEPARTMENT		
XX DECIMALS ± .01	XXX DECIMALS ± .005	ANGLES ± 2°	DESIGN	--	--
			DRAWN	--	--
			CHECKED	--	--
MATERIAL	--		APPROVED	--	--
FINISH	--		RELEASED	--	03/24/2006
THE INFORMATION CONTAINED IN THIS DRAWING IS THE SOLE PROPERTY OF ZYLIGHT LLC. ANY REPRODUCTION IN PART OR WHOLE WITHOUT THE WRITTEN PERMISSION OF ZYLIGHT LLC IS PROHIBITED.			INTERPRET DRAWING ANSI Y14.5 DO NOT SCALE DRAWING		

 ZYLIGHT LLC, PO BOX 54 CHELMSFORD, MA 01824			
SIZE B	CAGE CODE 48J68	DRAWING NO. 25-01001	REV --
SCALE 1:1	WEIGHT: ---	SHEET 1 OF 1	

4

3

2

1

DWG NO. 25-01001

SH 1

A