

4

3

2

1

D

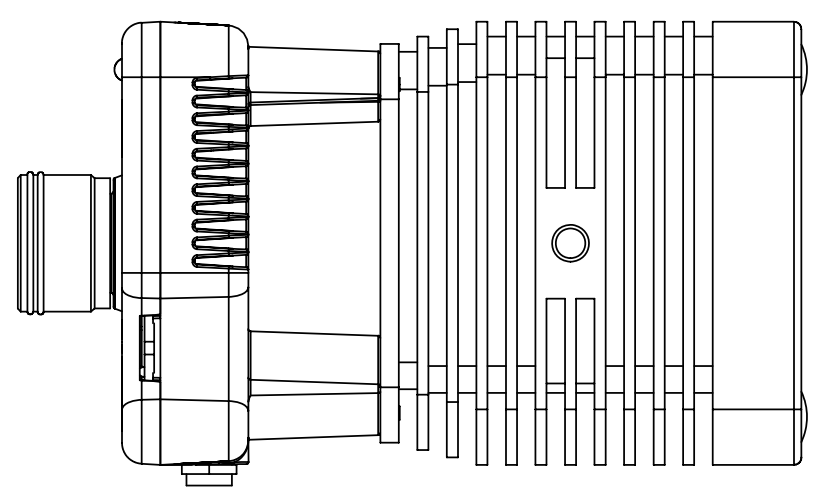
D

C

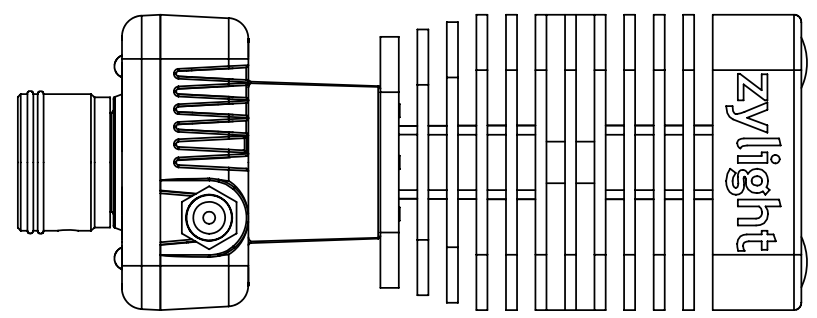
C

B

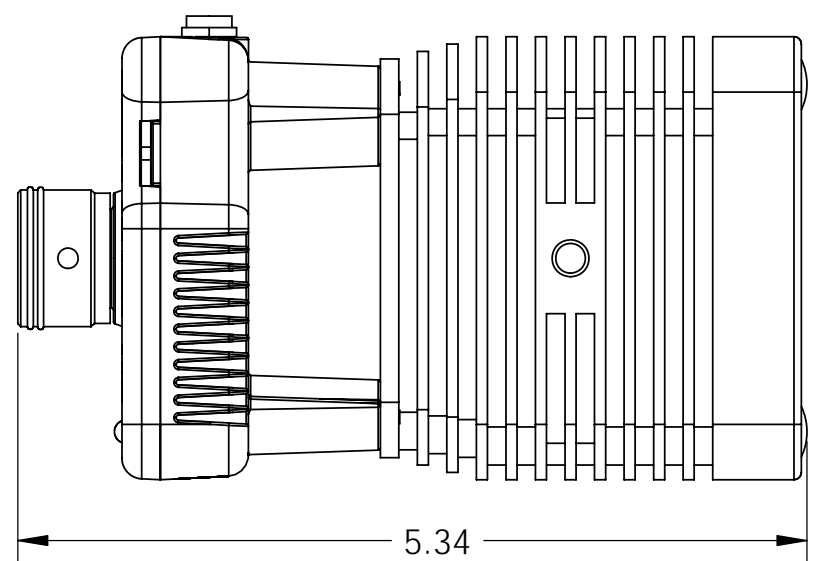
A



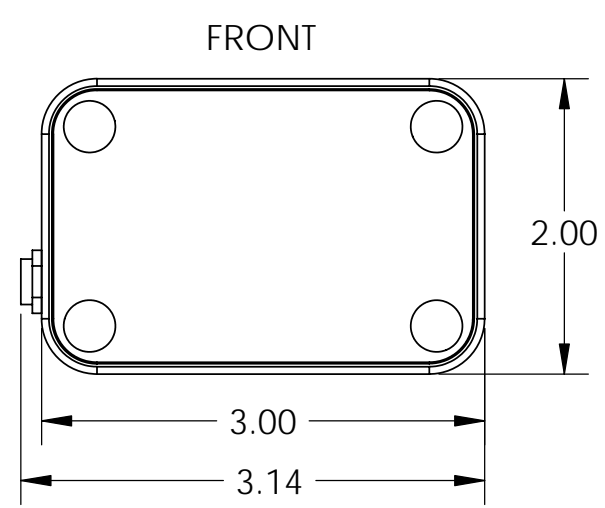
TOP



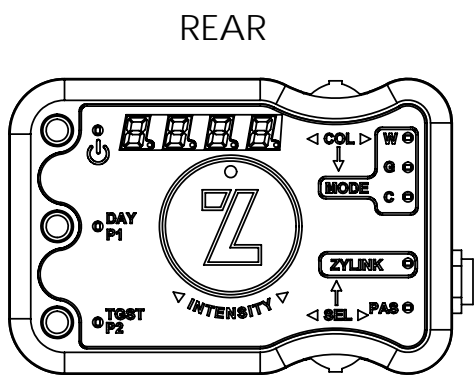
RIGHT



BOTTOM



FRONT



REAR

Z90 SPECIFICATIONS

MECHANICAL
SIZE: 5.34" x 3.14" x 2.00" [136 x 80 x 51mm]

WEIGHT: 16oz. [454g]

MOUNTING: 2x 1/4"-20 Socket

MATERIALS: Al 6061-T6, ABS/PC, TPE

ELECTRICAL
INPUT: 7-24V DC

AC ADAPTER: 100-240V, 50-60Hz

POWER: 30W max. [2.5A @ 12V]

OUTPUT
BEAM ANGLE: 60° [2θ, 1/2 INTENSITY]
131° [TOTAL]

DIMMING: 1-100%

PRESETS: **White Mode** - Two: Daylight, Tungsten
Gel Mode - 2500K-9000K in 50K steps, with ±GREEN color correction
Color Mode - Two: User Defined

LED LIFE: 50,000 Hrs. min. before factory re-calibration

PROTECTED BY THE FOLLOWING US AND FOREIGN PATENTS WITH OTHER US AND FOREIGN PATENTS PENDING:

- US 6,016,038 US 6,150,774
- US 6,211,626 US 6,340,868
- US 6,608,453 US 6,777,891
- US 6,788,011 US 6,806,659
- CA 2,302,227 EP 1 016 062 B1
- AU 757000 B2 HK 1025416
- DE 698 07 092 C0

LICENSED BY COLOR KINETICS

UNLESS OTHERWISE SPECIFIED DIMENSIONS ARE IN INCHES GENERAL TOLERANCES:			CAD MAINTAINED. CHANGES SHALL BE INCORPORATED BY ENGINEERING DEPARTMENT		
XX DECIMALS ± .01	XXX DECIMALS ± .005	ANGLES ± 2°	DESIGN	--	--
MATERIAL			DRAWN	--	--
			CHECKED	--	--
FINISH			APPROVED	--	--
			RELEASED	--	04/04/2007
THE INFORMATION CONTAINED IN THIS DRAWING IS THE SOLE PROPERTY OF ZYLIGHT LLC. ANY REPRODUCTION IN PART OR WHOLE WITHOUT THE WRITTEN PERMISSION OF ZYLIGHT LLC IS PROHIBITED.			INTERPRET DRAWING ANSI Y14.5 DO NOT SCALE DRAWING		



ZYLIGHT LLC, PO Box 54
CHELMSFORD, MA 01824

Z90 INTELLIGENT LED LIGHT

SIZE B	CAGE CODE 48J68	DRAWING NO. 25-01002	REV --
SCALE 1:1	WEIGHT: ---	SHEET 1 OF 1	

DWG NO. 25-01002

SH 1

A

4

3

2

1